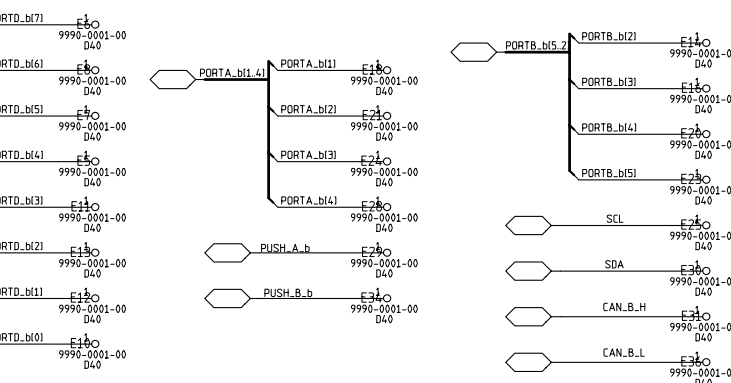
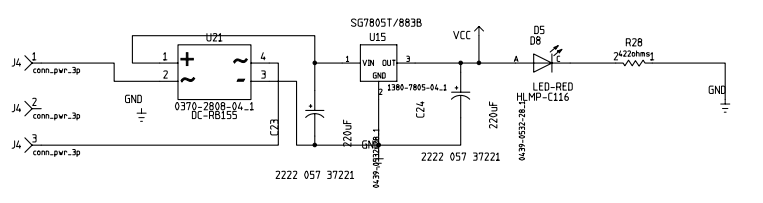
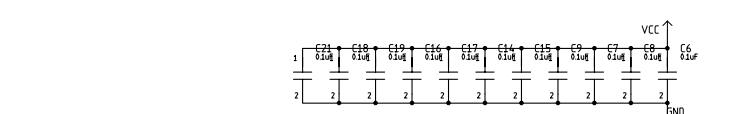
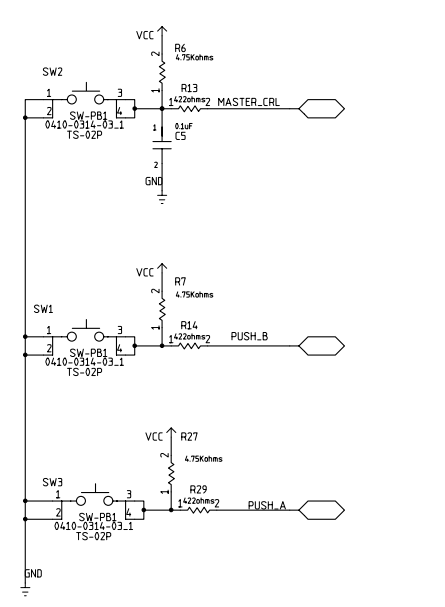
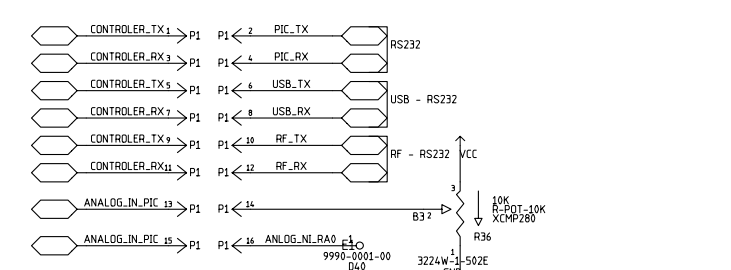
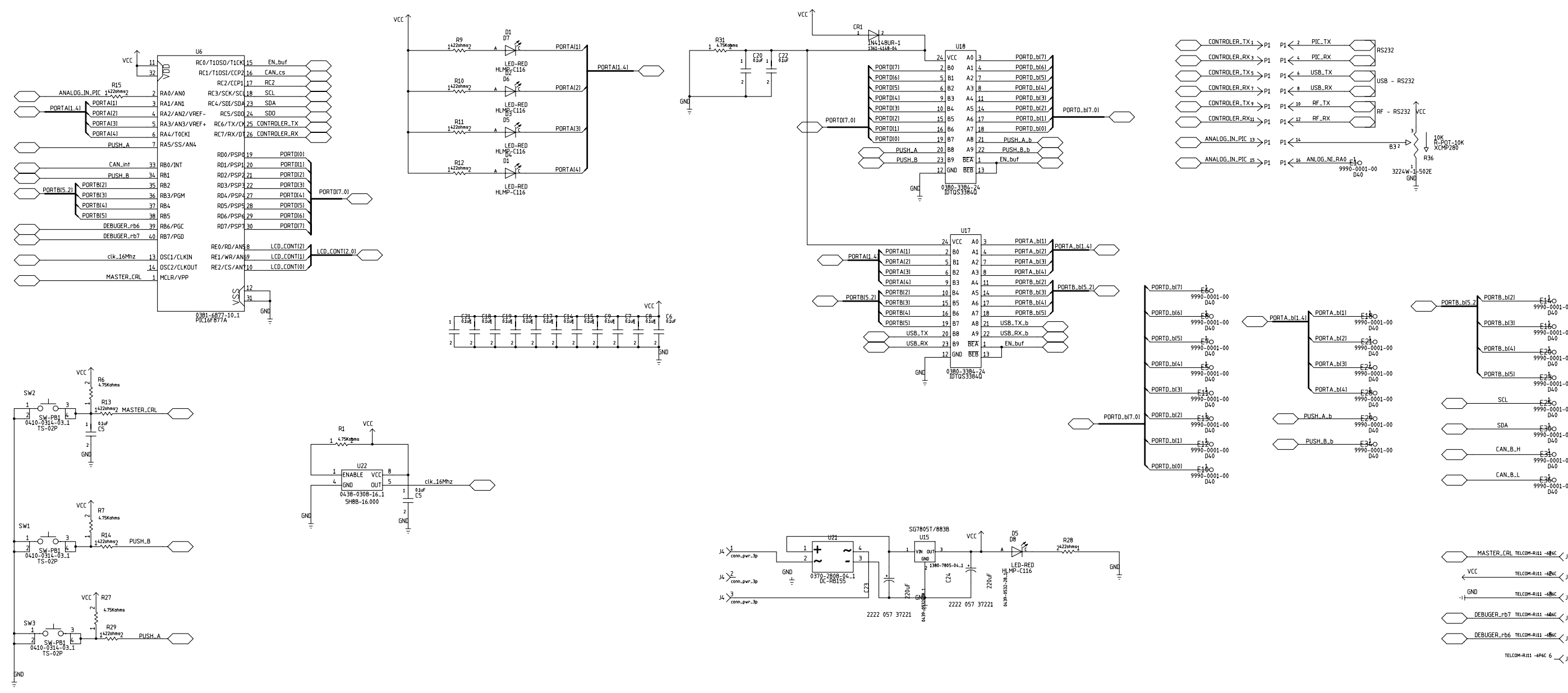
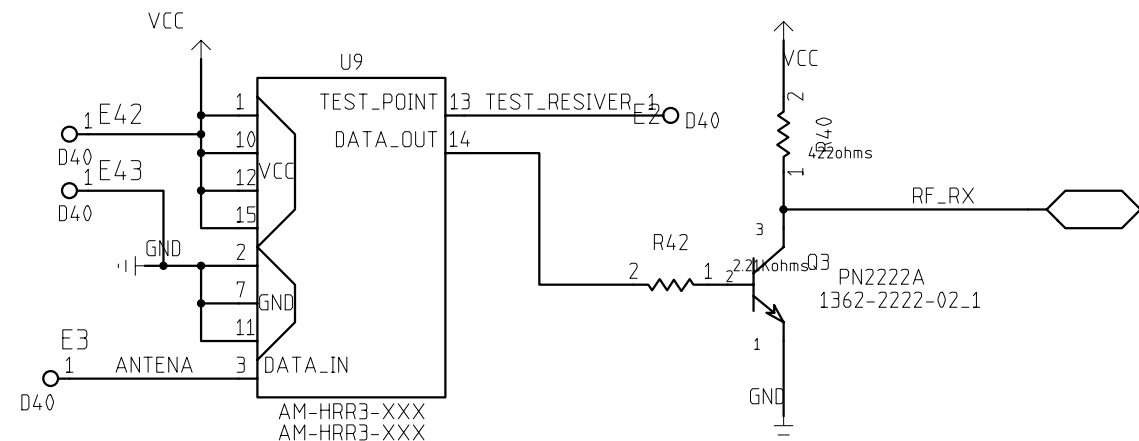
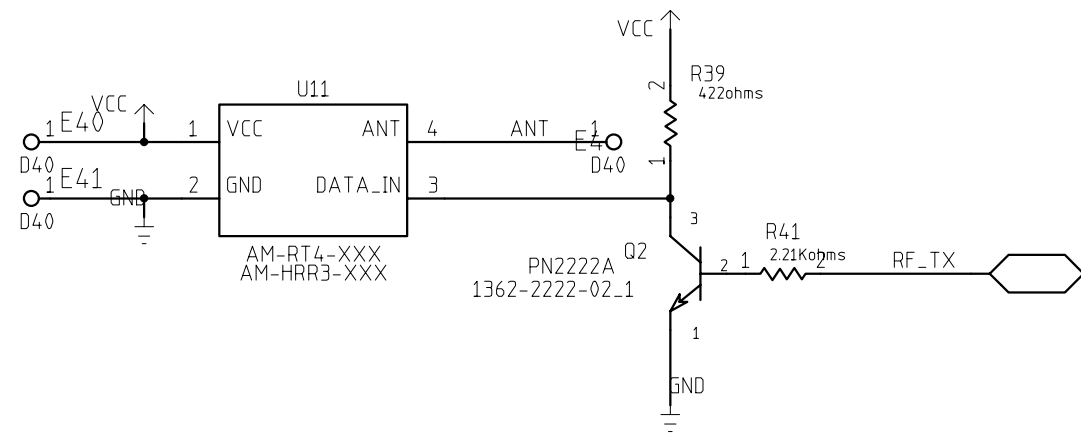


PROPRIETARY1
PROPRIETARY2
PROPRIETARY3
PROPRIETARY4
PROPRIETARY5

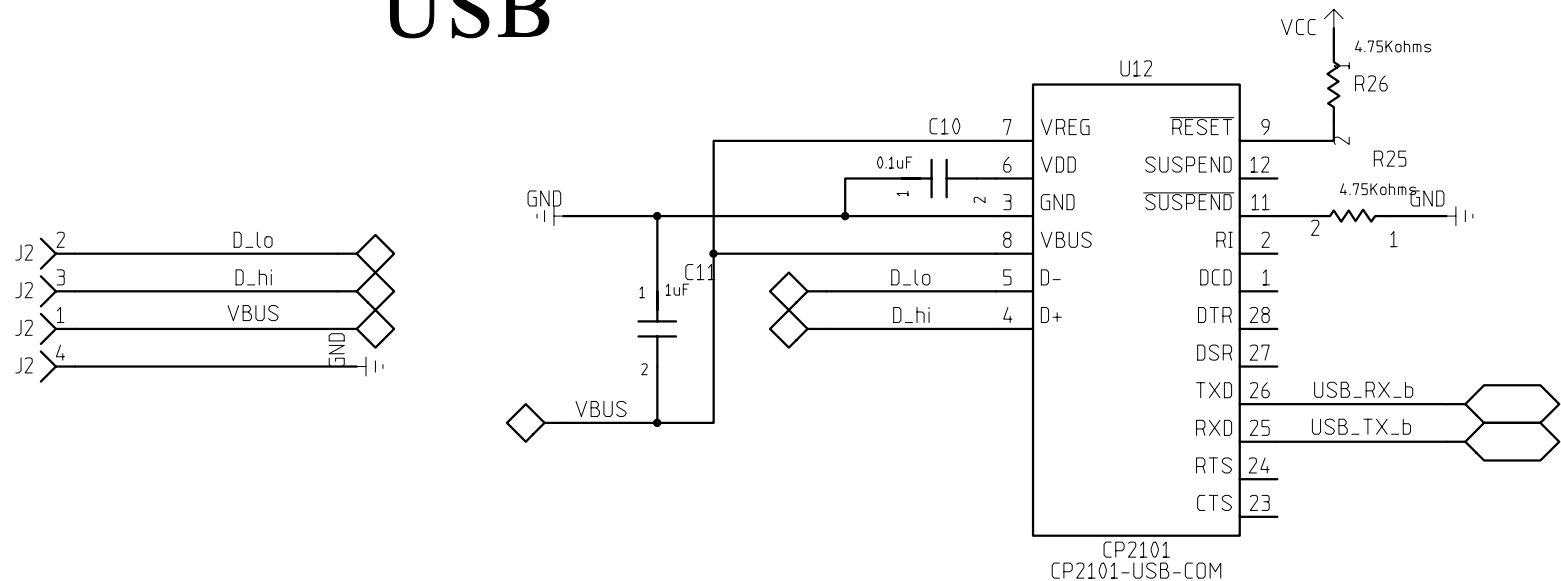


@PROPRIETARY1
@PROPRIETARY2
@PROPRIETARY3
@PROPRIETARY4
@PROPRIETARY5

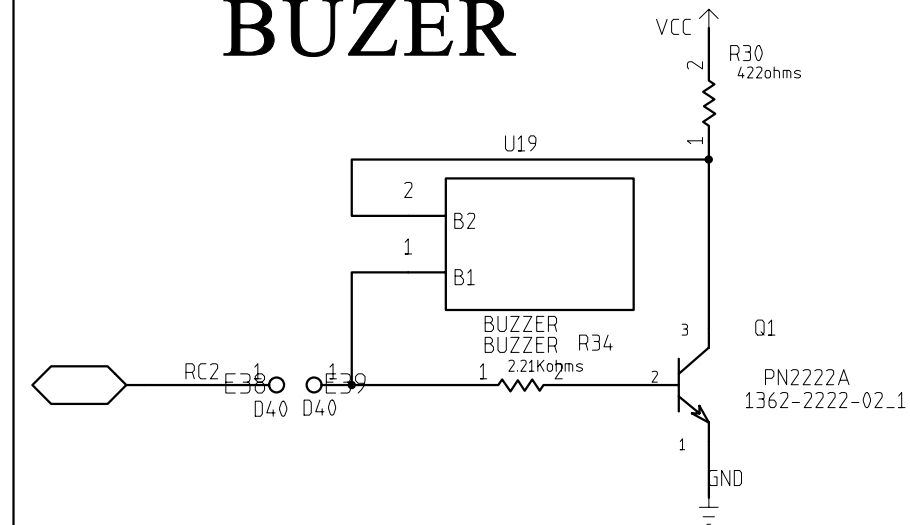
RF



USB



BUZER

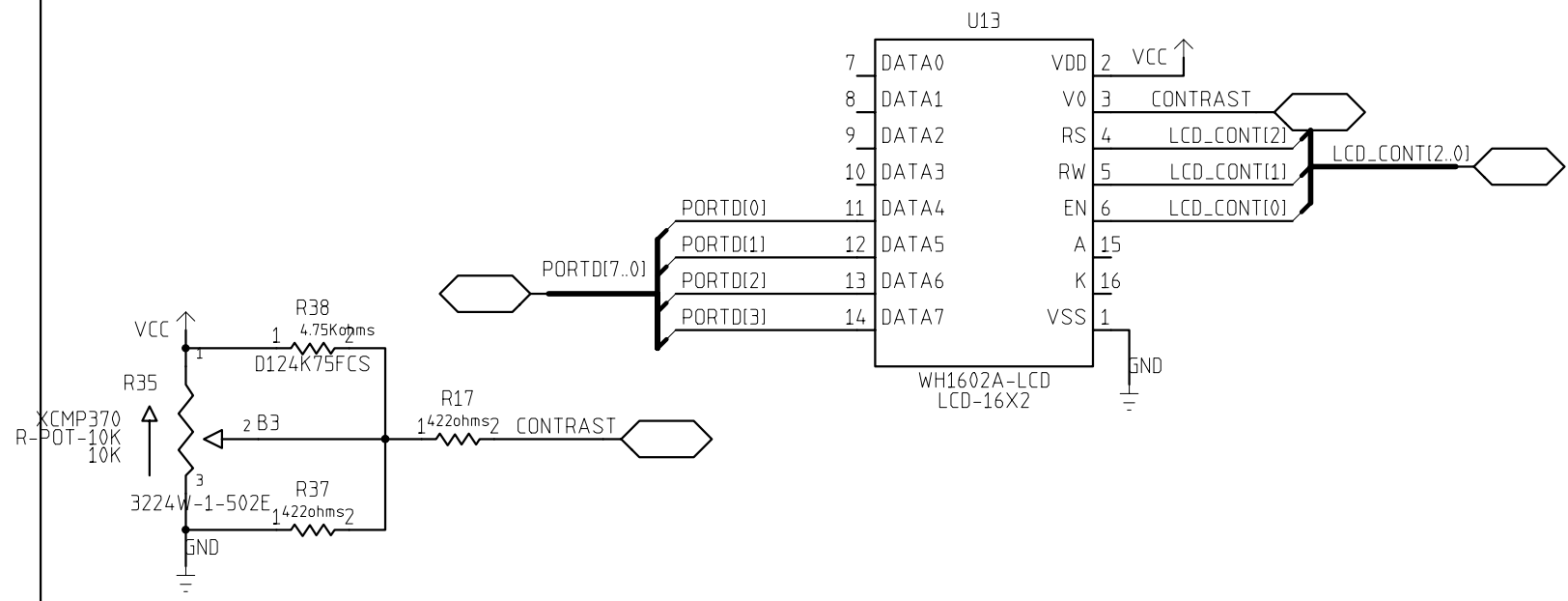


PIC_TOP

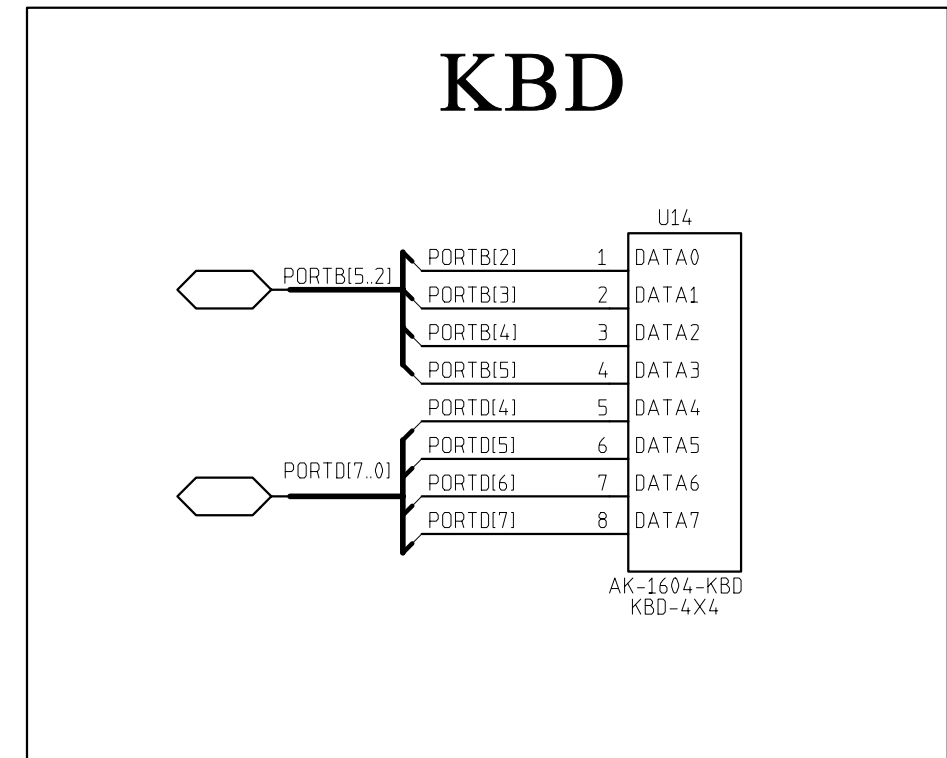
| | | | |
|------------|--------------------|---|-------------|
| SIZE A3 | CAGE CODE @CAGE | DWG. NO. @DWG_NO | REV @REV |
| @FREE1 | @FREE2 | SHEET OF @HierPageNumber @HierPageTotal | |

@PROPRIETARY1
@PROPRIETARY2
@PROPRIETARY3
@PROPRIETARY4
@PROPRIETARY5

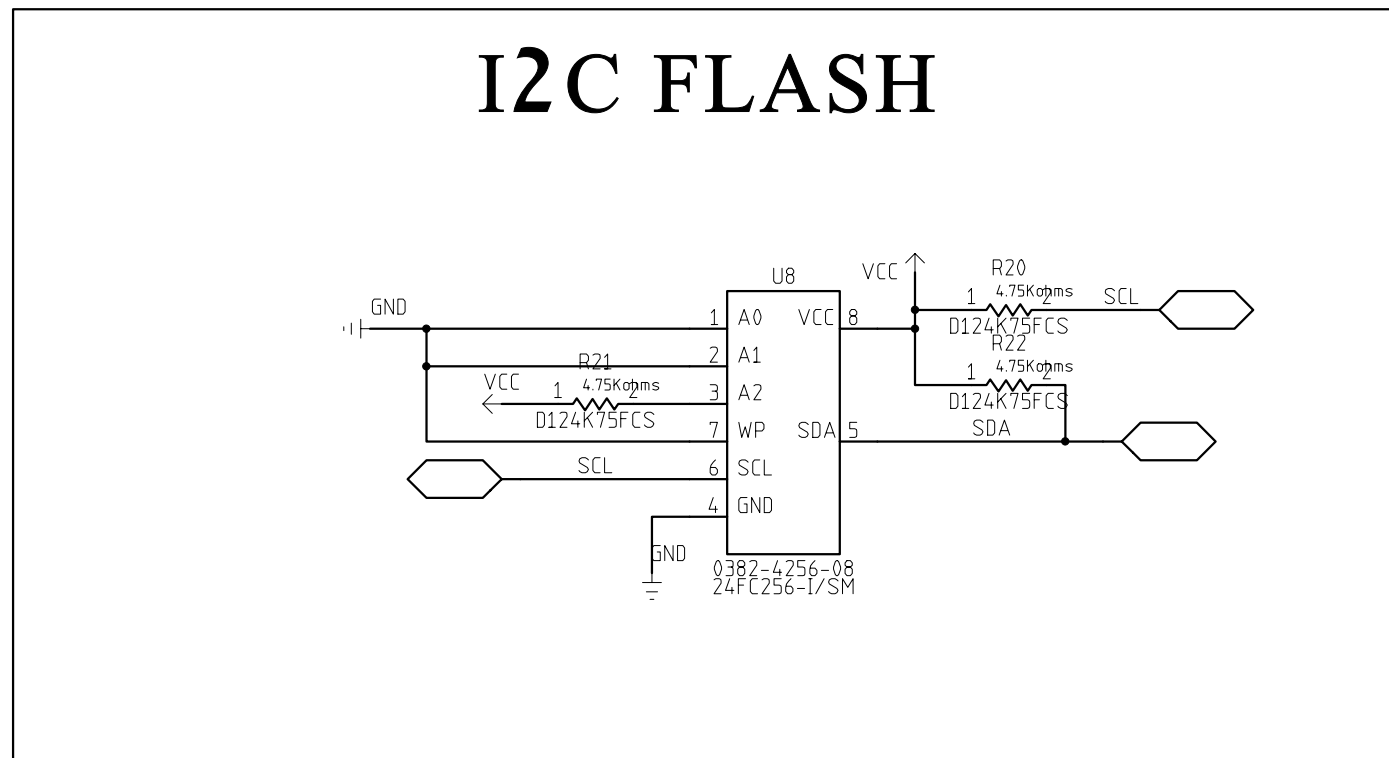
LCD



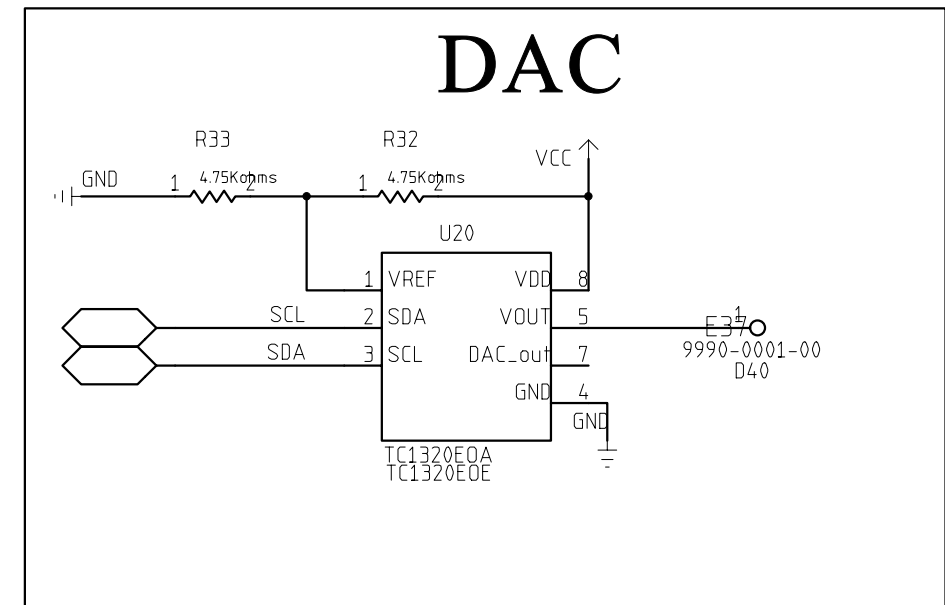
KBD



I2C FLASH



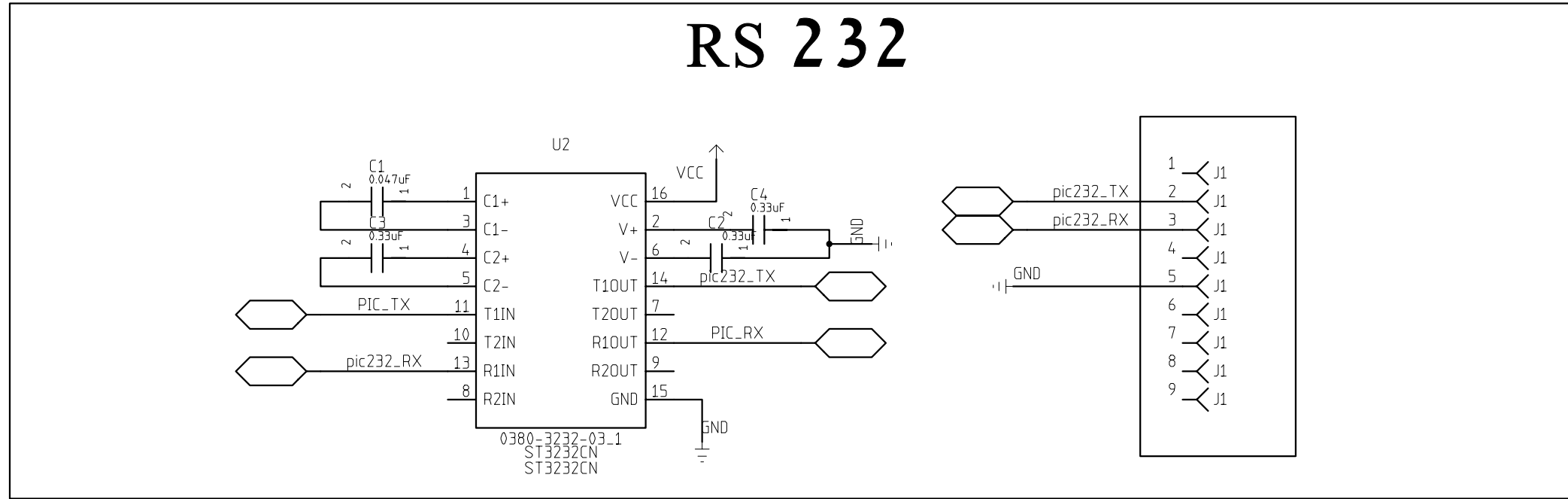
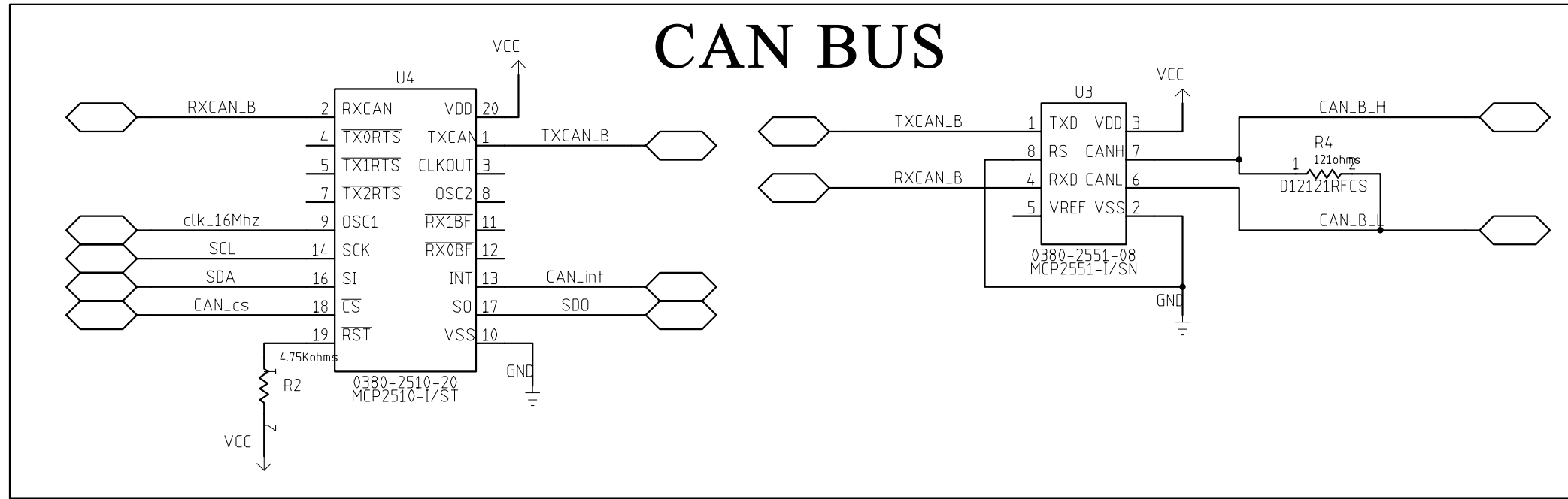
DAC



PIC_TOP

| | | | |
|------------|--------------------|---|-------------|
| SIZE A3 | CAGE CODE @CAGE | DWG. NO. @DWG_NO | REV @REV |
| @FREE1 | @FREE2 | SHEET OF @HierPageNumber @HierPageTotal | |

@PROPRIETARY1
@PROPRIETARY2
@PROPRIETARY3
@PROPRIETARY4
@PROPRIETARY5



PIC_TOP

| | | | |
|------------|--------------------|---|-------------|
| SIZE A3 | CAGE CODE @CAGE | DWG. NO. @DWG_NO | REV @REV |
| @FREE1 | @FREE2 | SHEET OF @HierPageNumber @HierPageTotal | |